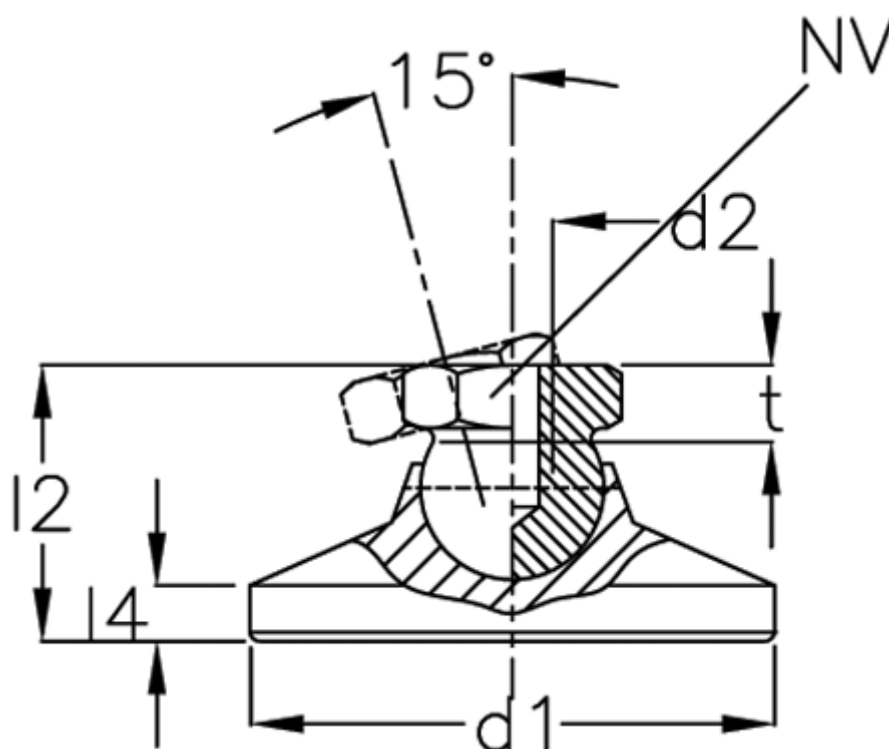


# Data Sheet



Article number: 20343160M16OS  
Description: E+G levelling foot  
GN 343.1-60-M16-OS

## Measures



d1	= 60
d2	= 16
l2	= 36
l4	= 8.5
NV	= 24
Static load (kN)	= 62
t min	= 16